

## DOT 50x17 U SUPERFAST

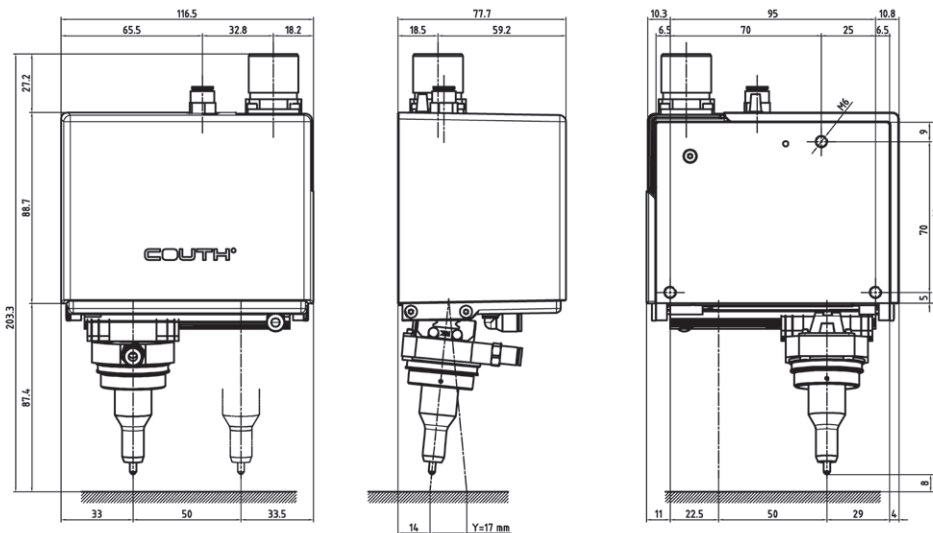
### INTEGRABLE · DOT PEEN MARKING

- Dot peen marking unit with **maximum speed and minimum dimensions**, especially designed to be integrated into production lines.



### ADVANTAGES

- **Maximum marking speed**, for all kinds of materials and hardnesses up to 62HRC.
- **Minimum dimensions**, making this marking unit **the smallest and fastest on the market**.
- **Easy to install** and assemble, thanks to its small size.
- Maximum reliability, **uninterrupted productions** and reduced maintenance costs.
- Highly **robust and long-lasting**, thanks to the high quality of its components.
- Circular connector, **easy assembly and disassembly**.
- Bi-colour LED, **with visual information** on machine status.



Área	Dimensiones (mm)			Peso
	X x Y	Anch.	Prof.	
50 x 17 (25)	116,5	77,7	168,1 (195,3)	1,7

### CHARACTERISTICS

- 50 x 17 mm marking area (with 50 x 25 mm option).
- Speed up to 16 characters/second.
- 6-bar air pressure.
- Hardness of materials to mark up to 62HRC.
- Wide range of characters, from 0.1 mm to complete area.
- Marking alphanumeric codes, logotypes, DATAMATRIX™, QR codes, etc.
- Different marking head types, depending on marking needs: pneumatic (N7, N10, N14, N20) and electric (S2, S6).
- Optional protection system that is easy to assemble and disassemble.
- Bi-colour LED provides information on the machine's status.
- Circular connector that facilitates its maintenance.
- 2.5-meter robotics cable, with customisation possibilities.
- Connection with COUTH control unit (see technical file for more information).
- PC edition software.